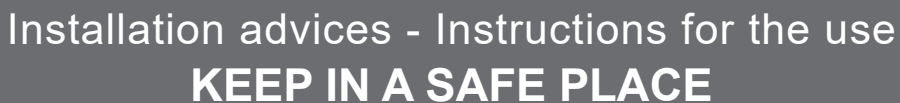
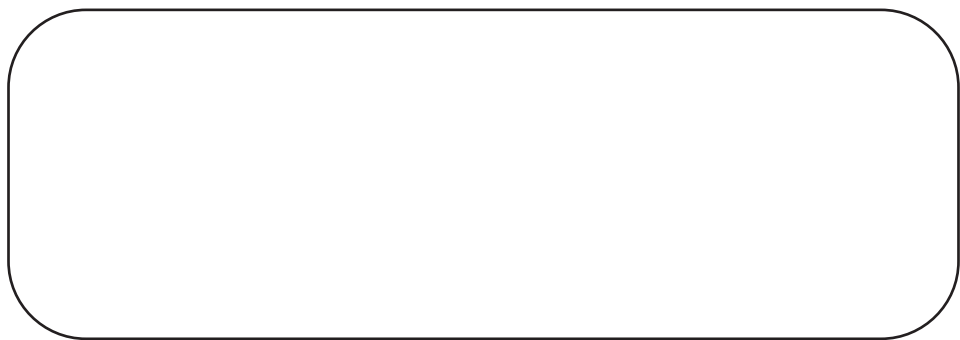




DOMINO COOKING HOB

Barbecue



Installation advices - Instructions for the use
KEEP IN A SAFE PLACE

Before operating this appliance,
please read these instructions carefully

Dear Customer,

Thank you for having purchased and given your preference to our product. The safety precautions and recommendations within this booklet are for your own safety and that of others. They will also provide a means by which to make full use of the features offered by your appliance.

Please preserve this booklet carefully. It may be useful in future, either to yourself or to others in the event that doubts should arise relating to its operation.

This appliance must be used only for the task it has explicitly been designed for, that is for cooking foodstuffs. Any other form of usage is to be considered as inappropriate and therefore dangerous.

The manufacturer declines all responsibility in the event of damage caused by improper, incorrect or illogical use of the appliance.

DECLARATION OF CE CONFORMITY

- This appliance has been designed to be used only for cooking. Any other use (such as heating a room) is improper and dangerous.
- This appliance has been designed, constructed, and marketed in compliance with:
 - Safety requirements of the “Low voltage” Directive 2014/35/EU;
 - Safety requirements of the “EMC” Directive 2014/30/EU;
 - Requirements of EU Directive 93/68/EEC;
 - Requirements of EU Directive 2011/65/EU.



IMPORTANT INFORMATION FOR CORRECT DISPOSAL OF THE PRODUCT IN ACCORDANCE WITH EC DIRECTIVE 2012/19/EC.

At the end of its working life, the product must not be disposed of as urban waste. It must be taken to a special local authority differentiated waste collection centre or to a dealer providing this service.

Disposing of a household appliance separately avoids possible negative consequences for the environment and health deriving from inappropriate disposal and enables the constituent materials to be recovered to obtain significant savings in energy and resources. As a reminder of the need to dispose of household appliances separately, the product is marked with a crossed-out wheeled dustbin.



IMPORTANT SAFETY PRECAUTIONS AND RECOMMENDATIONS

IMPORTANT: This appliance is designed and manufactured solely for the cooking of domestic (household) food and is not suitable for any non domestic application and therefore should not be used in a commercial environment.

The appliance guarantee will be void if the appliance is used within a non domestic environment i.e. a semi commercial, commercial or communal environment.

Read the instructions carefully before installing and using the appliance.

- This appliance has been designed and manufactured in compliance with the applicable standards for the household cooking products and it fulfills all the safety requirements shown in this manual, including those for surface temperatures.
Some people with sensitive skin may have a more pronounced temperature perception with some components although these parts are within the limits allowed by the norms.
The complete safety of the appliance also depends on the correct use, we therefore recommend to always pay a extreme attention while using the product, especially in the presence of children.
- After having unpacked the appliance, check to ensure that it is not damaged.
In case of doubt, do not use it and consult your supplier or a professionally qualified technician.
- Packing elements (i.e. plastic bags, polystyrene foam, nails, packing straps, etc.) should not be left around within easy reach of children, as these may cause serious injuries.
- Some appliances are supplied with a protective film on steel and aluminium parts. **This film must be removed before using the appliance.**
- **IMPORTANT:** The use of suitable protective clothing/gloves is recommended when handling or cleaning this appliance.
- Do not attempt to modify the technical characteristics of the appliance as this may become dangerous to use. The manufacturer declines all responsibility for any inconvenience resulting from the inobservance of this condition.
- Do not operate your appliance by means of an external timer or separate remote-control system.

- Do not carry out cleaning or maintenance operations on the appliance without having previously disconnected it from the electric power supply.
- Do not use a steam cleaner because the moisture can get into the appliance therefore making it unsafe.
- Do not cover the hob with aluminium foils.
- Do not touch the appliance with wet or damp hands (or feet).
- Do not use the appliance whilst in bare feet.
- If you should decide not to use this appliance any longer (or decide to substitute another model), before disposing of it, it is recommended that it be made inoperative in an appropriate manner in accordance to health and environmental protection regulations, ensuring in particular that all potentially hazardous parts be made harmless, especially in relation to children who could play with unused appliances.
- The various components of the appliance are recyclable. Dispose of them in accordance with the regulations in force in your country. If the appliance is to be scrapped, remove the power cord.
- After use, ensure that the knobs are in the off position.
- Children less than 8 years of age shall be kept away unless continuously supervised.
- This appliance can be used by children aged from 8 years and above and persons with reduced physical, sensory or mental capabilities or lack of experience and knowledge if they have been given supervision or instruction concerning use of the appliance in a safe way and understand the hazards involved. Children shall not play with the appliance. Cleaning and user maintenance shall not be made by children without supervision.
- The manufacturer declines all liability for injury to persons or damage to property caused by incorrect or improper use of the appliance.
- **WARNING:** During use the appliance and its accessible parts become hot; they remain hot for some time after use.
 - Care should be taken to avoid touching heating elements on the hob.
 - To avoid burns and scalds, young children should be kept away.
- **WARNING:** Unattended cooking on a hob with fat or oil can be dangerous and may result in fire. NEVER try to extinguish a fire with water, but switch off the appliance and then cover flame e.g. with a lid or a fire blanket.
- **WARNING:** Danger of fire: do not store items on the cooking surfaces.
- **WARNING:** If the hob is cracked or otherwise damaged by falling objects etc., disconnect the appliance from the electrical power supply to avoid the possibility of electric shock and call Customer Service.

- **WARNING:** When correctly installed, your product meets all safety requirements laid down for this type of product category. However special care should be taken around the underneath of the appliance as this area is not designed or intended to be touched and may contain sharp or rough edges, that may cause injury.
- **CAUTION:** The cooking process has to be supervised. A short term cooking process has to be supervised continuously.
- If the power supply cable is damaged, it must be replaced only by an authorized service agent in order to avoid a hazard.
- If the appliance is not fitted with a supply cord and a plug, or with other means for disconnection from the supply mains having a contact separation in all poles that provide full disconnection under overvoltage category III conditions, means for disconnection must be incorporated in the fixed wiring in accordance with the wiring rules.
- **WARNING:** The appliance and its accessible parts become hot during use.
Care should be taken to avoid touching heating elements.
Children less than 8 years of age shall be kept away unless continuously supervised.
- **WARNING:** Use only hob guards designed by the manufacturer of the cooking appliance or indicated by the manufacturer of the appliance in the instructions for use as suitable or hob guards incorporated in the appliance. The use of inappropriate guards can cause accidents.

ENERGY LABELLING/ECODESIGN

- Commission regulation (EU) No 66/2014 (implementing Directive 2009/125/EC of the European Parliament and of the Council).

Reference to the measurement and calculation methods used to establish compliance with the above requirements:

- Standard EN 60350-2 (hobs: electric cooking zones and/or areas).

USE OF THE APPLIANCE, ENERGY SAVING TIPS

ELECTRIC COOKING ZONES AND/OR AREAS

- Avoid keeping a zone/area on without something on it (without pot).
- Avoid pouring liquids on the zones/areas while they are hot.
- Use flat-bottomed (electric hotplate type) pots and pans only.
- Use cooking receptacles which cover as much of the surface of the cooking zone/area as possible.
- To save electricity, use lids whenever possible.
- When the pan comes to the boil, turn the heat down to the level desired. Remember that the cooking zone/area will continue to produce heat for about five minutes after it has been turned off.

ADVICE *for the* **INSTALLER**

IMPORTANT:

- The appliance is designed and approved for domestic use only and should not be installed in a commercial, semi commercial or communal environment.
Your product will not be guaranteed if installed in any of the above environments and could affect any third party or public liability insurances you may have.
- This appliance is to be installed only by an authorised person according to the current local regulations and in observation of the manufacturer's instructions. Failure to comply with this condition will render the guarantee invalid.
- Incorrect installation, for which the manufacturer accepts no responsibility, may cause personal injury or damage.
- Always disconnect the appliance from mains power supply before carrying out any maintenance operations or repairs.
- **Under no circumstances should any external covers be removed for servicing or maintenance except by suitable qualified personnel.**
- **Important: The use of suitable protective clothing/gloves is recommended when handling or installing this appliance.**
- **The appliance must be housed in heat-resistant units.**
- **These tops are designed to be embedded into kitchen fixtures measuring 600 mm in depth.**
- **The walls of the units must not be higher than work top and must be capable of resisting temperatures of 70 °C above room temperature.**
- **We would point out that the adhesive which bonds the plastic laminate to the furniture must withstand temperatures not less than 150 °C to avoid delamination.**
- **Some appliances are supplied with a protective film on steel and aluminium parts. This film must be removed before using the appliances.**
- **Do not instal the appliance near inflammable materials (eg. curtains).**

WARNING!

When correctly installed, your product meets all safety requirements laid down for this type of product category. However special care should be taken around the underneath of the appliance as this area is not designed or intended to be touched and may contain sharp or rough edges, that may cause injury.

1 INSTALLATION

TECHNICAL INFORMATION FOR THE INSTALLER

Some models only: Before installing the cooktop, remove the protective film.

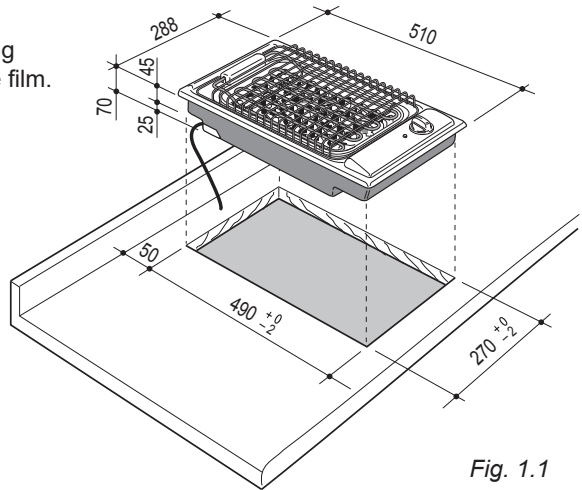


Fig. 1.1

Mount an extractor hood above these appliances to remove fumes and smells produced during operation.

Do not instal the appliance near inflammable materials (eg. curtains).

To fit the cooktop into the unit make an opening of the dimensions given in the figure 3.1, remembering that:

- within the fixture, between the bottom side of the cooker top and the upper surface of any other appliance or internal shelf there must be a clearance of at least 30 mm.
- any wall to the side and above the cooktop must be at least 300 mm away (see Fig. 1.2).
- the wall behind the cooktop must be at least 50 mm away. there must be at least 650 mm between the cooktop and the hood (see Fig. 1.2).
- the coatings of the walls of the unit or appliances near the cooktop must be heat resistant.

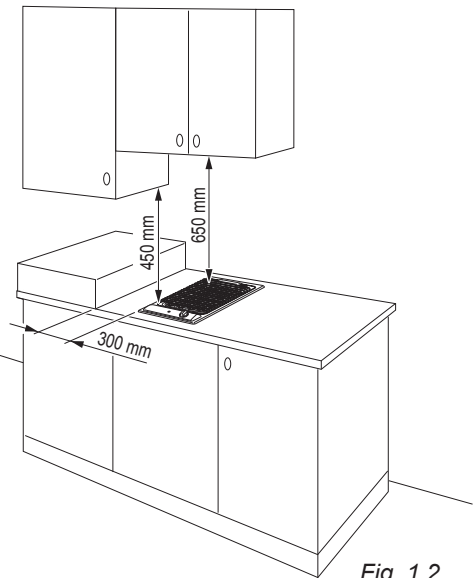
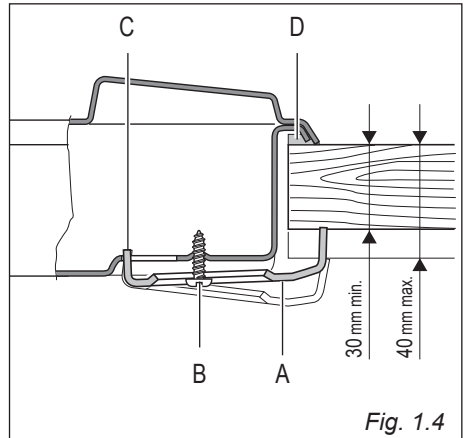
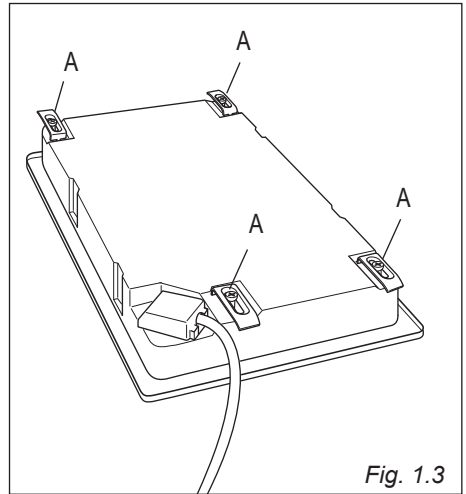


Fig. 1.2

FASTENING THE COOKTOP

Each cooker top is provided with an installation kit including brackets and screws for fastening the top to fixture panels from 30 to 40 mm thick, figs. 1.4.

- Cut the unit.
- Stretch gasket "D" over the edge of the hole made, being careful to overlay the junction edges
- Turn the cooktop over and put tabs "A" (fig. 1.3) into the mountings, only tighten screws "B" a few turns. Make sure that the tabs are mounted correctly as shown in the figure 1.4. Turn the tabs so that the cooktop can be put into the hole.
- Put the cooktop into the hole cut into the unit and position it correctly.
- Put tabs "A" into place, tooth "C" of the tabs should go into the hole.
- Tighten screws "B" until the cooktop is completely secured.
- Using a sharp tool cut off the part of gasket "D" which protrudes from the cooktop. Take care not to damage the benchtop.



IMPORTANT: The appliance must be installed by a qualified technician according with the current local regulations and in compliance with the manufacturer instructions. Incorrect installation might cause harm and damage to people, animals or objects, for which the manufacturer accepts no responsibility.

Connection to a good earth wiring system is absolutely essential.

The manufacturer accepts no responsibility for any inconvenience caused by failure to comply with this rule.

Before carrying out any work on the electrical section of the appliance, it must be disconnected from the mains.

ELECTRICAL REQUIREMENTS

- Connection to the mains must be carried out by qualified personnel in accordance with current regulations.
- The appliance must be connected to the mains checking that the voltage corresponds to the value given in the rating plate and that the electrical cable sections can withstand the load specified on the plate.
- The appliance is supplied without a power supply plug and therefore if you are not connecting directly to the mains, a standardized plug suitable for the load must be fitted.
- The plug must be connected to an earthed socket in compliance with safety standards.
- The appliance must be connected directly to the mains placing a two pole switch with minimum opening between the contacts of 3 mm between the appliance and the mains.
- The power supply cable must not touch the hot parts and must be positioned so that it does not exceed 50°C at any point.
- Once the appliance has been installed, the switch or socket must always be accessible.
- **If the supply cord is damaged it must be replaced by the manufacturer or its Service Agent or a similarly qualified person in order to avoid a hazard.**

N.B. The connection of the appliance to earth is mandatory. For connection to the mains, do not use adapters, reducers or branching devices as they can cause overheating and burning.

If the installation requires alterations to the domestic electrical system call a qualified electrician. He should also check that the domestic electrical system is suitable for the power drawn by the appliance.

REPLACING THE POWER SUPPLY CABLE

WARNING: If the power supply cable is damaged, it must be replaced only by an authorised service agent in order to avoid a hazard.

Turn the cooktop over and unhook the terminal board cover by inserting a screwdriver into the two hooks "A" (fig. 2.1). Open the cable gland by unscrewing screw "F" (fig. 2.2), unscrew the terminal screws and remove the cable.

The new supply cable, of suitable type and section, is connected to the terminal board following the diagram in fig. 2.3.

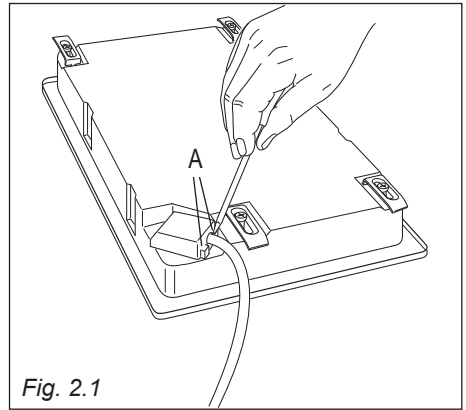


Fig. 2.1

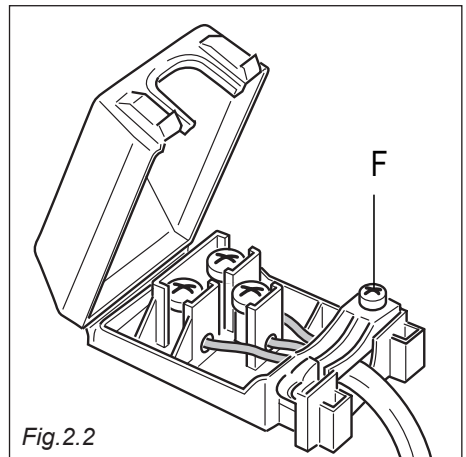


Fig.2.2

FEEDER CABLE SECTION

Type "H05RR-F"

230 V ac 50-60 Hz 3 x 1,5 mm² (*) (**)

or

220 - 240 V ac 50-60 Hz 3 x 1,5 mm² (*) (**)

(*) Connection possible with plug and outlet

(**) Connection with wall box connection.

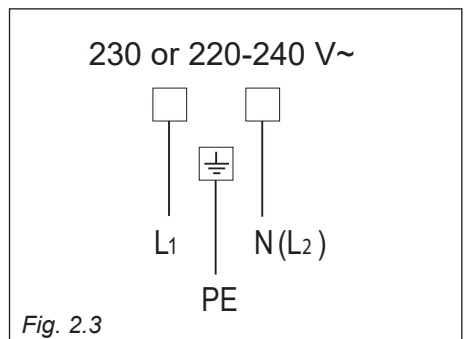
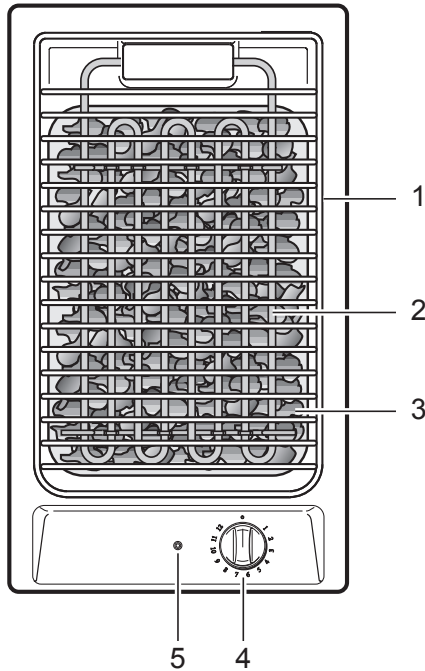


Fig. 2.3

ADVICE
for the
USERS

1 ELECTRIC BARBECUE

Fig. 1.1



FEATURES

- **Electrical insulation Class I.**
1. Grill
 2. Tiltable electric heating element - 2400 W
 3. Tray with pumice stone

CONTROL PANEL

4. Heating element adjuster knob
5. Heating element ON indicator light

Caution!
Do not cover the hob with aluminium foils.

NOTES:
The knob and symbols may vary.
The symbols may be printed on the knob itself.

BARBECUE FEATURES

- This appliance grills meat and fish without fat and oil.
- Under the heating element there is a tray with pumice stone, which guarantees a constant temperature of about 250 °C.
- All the parts, grill, tray and stones, can easily be removed for cleaning.

USING THE BARBECUE FOR THE FIRST TIME

- Remove the adhesive film which protects certain parts.
- Carefully remove all the glue residues without using abrasive substances, to avoid scratching the surfaces.
- Wash and dry the grill carefully (better if in the dishwasher).
- Raise the heating element, make sure that the tray is positioned correctly and spread out the pumice stone well.
- Lower the heating element and put the grill on top.
- Switch the barbecue on by turning the energy regulator knob to the maximum position (11 - 12) for about 15 minutes to remove the fatty working residues.

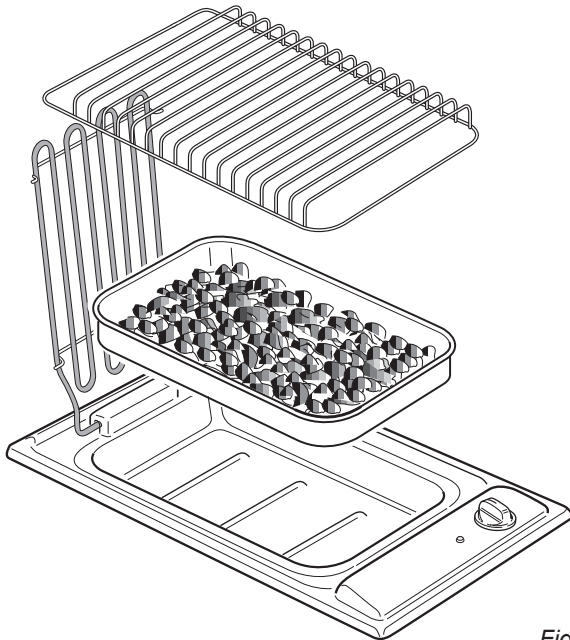


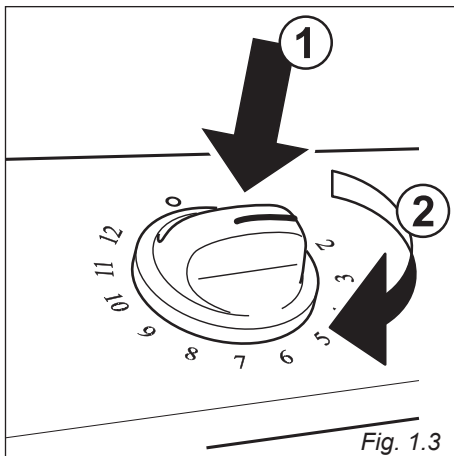
Fig. 1.2

USING THE BARBECUE

- Before cooking, check that the removable parts are in their correct position (tray with well distributed pumice stone, heating element completely lowered, grill in position).
- **VERY IMPORTANT: TO SWITCH ON THE BARBECUE, ALWAYS LIGHTLY PRESS THE CONTROL KNOB, THEN TURN IT.**
Switch on the barbecue by turning the knob to position **12**.
The indicator light shows that the barbecue is ON.
- Preheat for about 5 minutes.
- Turn the knob to the position desired.
The numbers from **1** to **12** indicate the operating positions with temperature increasing with the number.
- Put the food on the grill and check the cooking.
- To switch the barbecue off turn the knob to position “**0**”.

WARNING

The barbecue becomes very hot during use.
Keep children away.



TIPS FOR GRILLING

- Preheat for about 5 minutes.
- The hotter the pumice stone, the quicker and more uniform the cooking.
- Do not pour water onto the hot or working barbecue.
- After grilling is finished, leave the barbecue switched on for a few minutes so that the fats absorbed by the pumice stone are burnt.

TABLE FOR GRILLING ON PUMICE STONES

Foods	Regulator position	Total tim [minutes]
Beef fillet	12	8
Steaks	12	12
Hamburgers	12	14
Sausages	12	13
Liver	12	5
Lamb chop	12	8
Chicken steak	12	9
Chicken thigh	11 - 10	17
Salmon steak	11 - 10	10
Trout	11 - 10	12
Trout baked in greaseproof paper	11	30

The times given are purely indicative and refer to the barbecue preheated to the maximum.

2

CLEANING AND MAINTENANCE

GENERAL ADVICE

- **Before you begin cleaning, you must ensure that the appliance is switched off.**
- It is advisable to clean when the appliance is cold and especially when cleaning the enamelled parts.
- Clean the outside with a cloth wetted with hot water and soap or water and liquid detergent. To make cleaning operations easier remove the grill and the pumice stone tray.
- The pumice stone tray and the grill can be washed in the sink, but they are better washed in the dishwasher.
- After each cooking empty the residual fats from the pumice stone tray and wash it carefully. This is to prevent unpleasant smells during cooking.
- Every 2 or 3 cookings wash the pumice stone with water.
- Clean the heating element very carefully using a dry cloth or a cloth damped just with water.
- Be very careful that no water penetrates inside the appliance.
- Avoid leaving alkaline or acidic substances (lemon juice, vinegar, etc.) on the surfaces.
- Avoid using cleaning products with a chlorine or acidic base.
- Stainless steel surfaces: clean with a suitable product. Always dry thoroughly.

WARNING

When correctly installed, your product meets all safety requirements laid down for this type of product category. However special care should be taken around the rear or the underneath of the appliance as these areas are not designed or intended to be touched and may contain sharp or rough edges, that may cause injury.

ENAMELLED PARTS

All the enamelled parts must be cleaned with a sponge and soapy water only or other non-abrasive products. Dry preferably with a microfibre or soft cloth.

STAINLESS STEEL SURFACE

ONLY SOAP/WARM WATER MUST BE USED TO CLEAN THE STAINLESS STEEL SURFACES.

PAINTED PARTS AND SILKSCREEN PRINTED SURFACES

Clean using an appropriate product. Always dry thoroughly.

IMPORTANT: these parts must be cleaned very carefully to avoid scratching and abrasion. You are advised to use a soft cloth and neutral soap.

CAUTION: Do not use abrasive substances or non-neutral detergents as these will irreparably damage the surface.

Important: The manufacturer declines all liability for possible damage caused by the use of unsuitable products to clean the appliance.

WARNING The barbecue becomes very hot during use. Keep children away.

Do not use a steam cleaner because the moisture can get into the appliance thus make it unsafe.

The manufacturer cannot be held responsible for possible inaccuracies due to printing or transcription errors in the present booklet.

The manufacturer reserves the right to make all modifications to its products deemed necessary for manufacture or commercial reasons at any moment and without prior notice, without jeopardising the essential functional and safety characteristics of the appliances.

