

Installation advices - Instructions for the use



BUILT-IN GAS COOKING HOBS

100% ELBA QUALITY  
MADE IN ITALY



**ELBA**  
TALENT FOR COOKING



Made in Italy



## Dear Customer,

*Thank you for having purchased and given your preference to our product.*

*The safety precautions and recommendations reported below are for your own safety and that of others. They will also provide a means by which to make full use of the features offered by your appliance.*

*Please preserve this booklet carefully. It may be useful in future, either to yourself or to others in the event that doubts should arise relating to its operation.*

***This appliance must be used only for the task it has explicitly been designed for, that is for cooking foodstuffs. Any other form of usage is to be considered as inappropriate and therefore dangerous.***

***The manufacturer declines all responsibility in the event of damage caused by improper, incorrect or illogical use of the appliance.***

## DECLARATION OF CE CONFORMITY

- This appliance has been designed to be used only for cooking. Any other use (such as heating a room) is improper and dangerous.
- This appliance has been designed, constructed, and marketed in compliance with:
  - Safety requirements of the "Gas" Regulation (EU) 2016/426;
  - Safety requirements of the "Low voltage" Directive 2014/35/EU;
  - Safety requirements of the "EMC" Directive 2014/30/EU;
  - Requirements of EU Directive 93/68/EEC;
  - Requirements of EU Directive 2011/65/EU.



## IMPORTANT INFORMATION FOR CORRECT DISPOSAL OF THE PRODUCT IN ACCORDANCE WITH EC DIRECTIVE 2012/19/EU.

### (only for the European Union countries)

At the end of its working life, the product must not be disposed of as urban waste. It must be taken to a special local authority differentiated waste collection centre or to a dealer providing this service.

Disposing of a household appliance separately avoids possible negative consequences for the environment and health deriving from inappropriate disposal and enables the constituent materials to be recovered to obtain significant savings in energy and resources. As a reminder of the need to dispose of household appliances separately, the product is marked with a crossed-out wheeled dustbin.



## IMPORTANT SAFETY PRECAUTIONS AND RECOMMENDATIONS

**IMPORTANT:** This appliance is designed and manufactured solely for the cooking of domestic (household) food and is not suitable for any non domestic application and therefore should not be used in a commercial environment.

The appliance guarantee will be void if the appliance is used within a non domestic environment i.e. a semi commercial, commercial or communal environment.

**Read the instructions carefully before installing and using the appliance.**

- This appliance has been designed and manufactured in compliance with the applicable standards for the household cooking products and it fulfills all the safety requirements shown in this manual, including those for surface temperatures. Some people with sensitive skin may have a more pronounced temperature perception with some components although these parts are within the limits allowed by the norms.
- The complete safety of the appliance also depends on the correct use, we therefore recommend to always pay a extreme attention while using the product, especially in the presence of children. After having unpacked the appliance, check to ensure that it is not damaged. In case of doubt, do not use it and consult your supplier or a professionally qualified technician.
- Packing elements (i.e. plastic bags, polystyrene foam, nails, packing straps, etc.) should not be left around within easy reach of children, as these may cause serious injuries.
- Some appliances are supplied with a protective film on steel and aluminium parts. **This film must be removed before using the appliance.**
- **IMPORTANT:** The use of suitable protective clothing/gloves is recommended when handling or cleaning this appliance.
- Do not attempt to modify the technical characteristics of the appliance as this may become dangerous to use. The manufacturer

declines all responsibility for any inconvenience resulting from the inobservance of this condition.

- **CAUTION:** this appliance must only be installed in a permanently ventilated room in compliance with the applicable regulations.
- Do not carry out cleaning or maintenance operations on the appliance without having previously disconnected it from the electric power supply.
- Do not use a steam cleaner because the moisture can get into the appliance therefore making it unsafe.
- Do not touch the appliance with wet or damp hands (or feet).
- Do not use the appliance whilst in bare feet.
- If you should decide not to use this appliance any longer (or decide to substitute another model), before disposing of it, it is recommended that it be made inoperative in an appropriate manner in accordance to health and environmental protection regulations, ensuring in particular that all potentially hazardous parts be made harmless, especially in relation to children who could play with unused appliances.
- The various components of the appliance are recyclable. Dispose of them in accordance with the regulations in force in your country. If the appliance is to be scrapped, remove the power cord.
- After use, ensure that the knobs are in the off position.
- Children less than 8 years of age shall be kept away unless continuously supervised.
- This appliance can be used by children aged from 8 years and above and persons with reduced physical, sensory or mental capabilities or lack of experience and knowledge if they have been given supervision or instruction concerning use of the appliance in a safe way and understand the hazards involved. Children shall not play with the appliance. Cleaning and user maintenance shall not be made by children without supervision.
- The manufacturer declines all liability for injury to persons or damage to property caused by incorrect or improper use of the appliance.
- **WARNING:** During use the appliance and its accessible parts become hot; they remain hot for some time after use.

- Care should be taken to avoid touching heating elements on the hob.
- To avoid burns and scalds, young children should be kept away.
- Make sure that electrical cables connecting other appliances in the proximity of the cooktop cannot come into contact with the hob.
- **WARNING:** Unattended cooking on a hob with fat or oil can be dangerous and may result in fire. **NEVER** try to extinguish a fire with water, but switch off the appliance and then cover flame e.g. with a lid or a fire blanket.
- **WARNING:** Danger of fire: do not store items on the cooking surfaces.
- **WARNING:** When correctly installed, your product meets all safety requirements laid down for this type of product category. However special care should be taken around the underneath of the appliance as this area is not designed or intended to be touched and may contain sharp or rough edges, that may cause injury.
- **CAUTION:** The cooking process has to be supervised. A short term cooking process has to be supervised continuously.
- If the power supply cable is damaged, it must be replaced only by an authorized service agent in order to avoid a hazard.
  - Care should be taken to avoid touching heating elements on the hob.
  - To avoid burns and scalds, young children should be kept away.
- Make sure that electrical cables connecting other appliances in the proximity of the cooktop cannot come into contact with the hob.
- **WARNING:** Unattended cooking on a hob with fat or oil can be dangerous and may result in fire. **NEVER** try to extinguish a fire with water, but switch off the appliance and then cover flame e.g. with a lid or a fire blanket.
- **WARNING:** Danger of fire: do not store items on the cooking surfaces.
- **WARNING:** When correctly installed, your product meets all safety requirements laid down for this type of product category. However special care should be taken around the underneath of the appliance

as this area is not designed or intended to be touched and may contain sharp or rough edges, that may cause injury.

- **CAUTION:** The cooking process has to be supervised. A short term cooking process has to be supervised continuously.
- If the power supply cable is damaged, it must be replaced only by an authorized service agent in order to avoid a hazard.
- If the appliance is not fitted with a supply cord and a plug, or with other means for disconnection from the supply mains having a contact separation in all poles that provide full disconnection under overvoltage category III conditions, means for disconnection must be incorporated in the fixed wiring in accordance with the wiring rules.
- **WARNING:** The appliance and its accessible parts become hot during use.  
Care should be taken to avoid touching heating elements.  
Children less than 8 years of age shall be kept away unless continuously supervised.
- **WARNING:** Use only hob guards designed by the manufacturer of the cooking appliance or indicated by the manufacturer of the appliance in the instructions for use as suitable or hob guards incorporated in the appliance. The use of inappropriate guards can cause accidents.

## **ENERGY LABELLING/ECODESIGN**

- Commission regulation (EU) No 66/2014 (implementing Directive 2009/125/EC of the European Parliament and of the Council).

Reference to the measurement and calculation methods used to establish compliance with the above requirements:

- Standard EN30-2-1 (hobs: gas fired burners).

## **USE OF THE APPLIANCE, ENERGY SAVING TIPS**

### **HOB**

#### **GAS FIRED BURNERS**

- It is important that the diameter of the pot be suitable to the size of the burner so as not to compromise the high output of the burners and therefore energy waste. A small pot on a large burner does not give you a boiling point in a shorter amount of time since the capacity of heat absorption of a liquid mass depends on the volume and the surface of the pot.
- Avoid keeping a burner on without something on it (without pot).



***ADVICE***  
***for the***  
***INSTALLER***

## IMPORTANT :

- The appliance is designed and approved for domestic use only and should not be installed in a commercial, semi commercial or communal environment.

**Your product will not be guaranteed if installed in any of the above environments and could affect any third party or public liability insurances you may have.**

**For the United Kingdom only:** The appliance may be installed in a kitchen, kitchen/diner or a bed sitting room, but not in a room or space containing a bath or a shower without first consulting current regulations.

The appliance must not be installed in a bed-sitting room of less than 20 m<sup>3</sup>.

- This appliance is to be installed, regulated and adapted to function only by an authorized person in compliance with the current local regulations in force and in observation of the instructions supplied by the manufacturer.

Failure to comply with this condition will render the guarantee invalid.

**For the United Kingdom only:** The appliance installation must only be carried out by a **SUITABLY QUALIFIED AND REGISTERED TECHNICIAN** and in compliance with local safety standards.

Failure to observe this rule will invalidate the warranty.

- The appliance must be installed in compliance with regulations in force in your country and in observation of the manufacturer's instructions.
- Installation technicians must comply to current laws in force concerning ventilation and the evacuation of exhaust gases.
- Incorrect installation, for which the manufacturer accepts no responsibility, may cause personal injury or damage.
- This appliance shall only be serviced by authorized personnel.
- Always disconnect the appliance from mains power supply before carrying out any maintenance operations or repairs.

- **Important: The use of suitable protective clothing/gloves is recommended when handling or cleaning of this appliance.**
- **These tops are designed to be embedded into kitchen fixtures measuring 600 mm in depth, working surface 30 to 40 mm thick.**
- **The appliance must be housed in heat-resistant units.**
- **The walls of the units must not be higher than work top and must be capable of resisting temperatures of 105°C above room temperature.**
- **We would point out that the adhesive which bonds the plastic laminate to the furniture must withstand temperatures not less than 150°C to avoid delamination.**
- **Do not install the appliance near inflammable materials (eg. curtains).**

## WARNING!

When correctly installed, your product meets all safety requirements laid down for this type of product category. However special care should be taken around the underneath of the appliance as this area is not designed or intended to be touched and may contain sharp or rough edges, that may cause injury.

# 1 INSTALLATION

## TECHNICAL INFORMATION FOR THE INSTALLER

In order to install the cooker top into the kitchen fixture, a hole with the dimensions shown in fig. 1.1a has to be made, bearing in mind the following:

- A 40mm ventilation gap must be provided between the bottom of the appliance and any cabinetry, draw unit, thermal protection barrier or appliance.
- If the cooktop is installed directly above an oven (which does not have a cooling fan motor) a thermal protection barrier must be installed below the base of the cooktop as indicated in fig. 1.1c.
- If the base of the cooktop is accessible through a cupboard or drawer space after installation or if the oven installed below the cooktop has a cooling fan motor, the thermal protection barrier is not required.
- If the cooktop is installed above an oven, the two appliances shall be connected to the gas and/or electrical supply with independent connections.
- The cooker top must be kept no less than 200 mm away from any side wall (from side edge of cutout - figs. 1.1a, 1.1b).
- The hob must be installed at least 60 mm from the wall (from rear edge of cutout - fig. 1.1a).
- There must be a distance of at least 650 mm between the hob and any wall cupboard or extractor hood positioned immediately above (see fig. 1.1b).

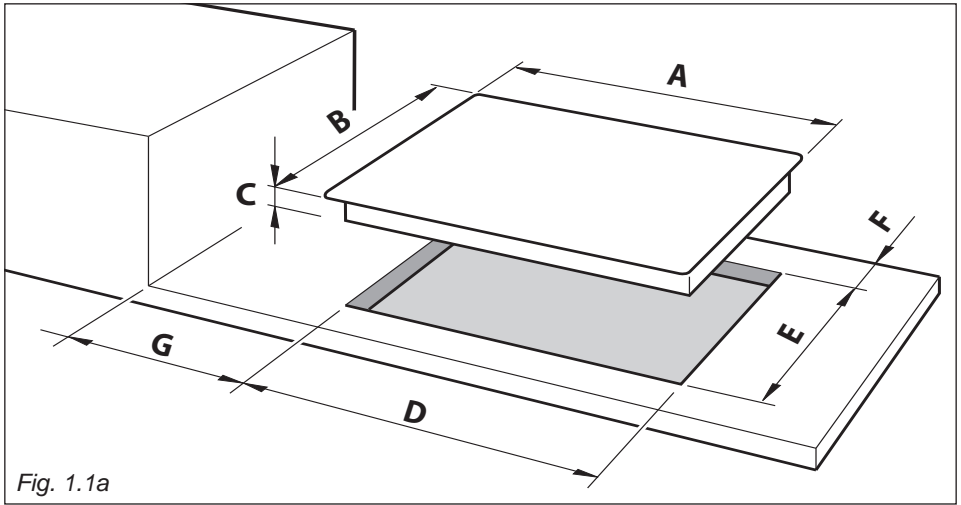


Fig. 1.1a

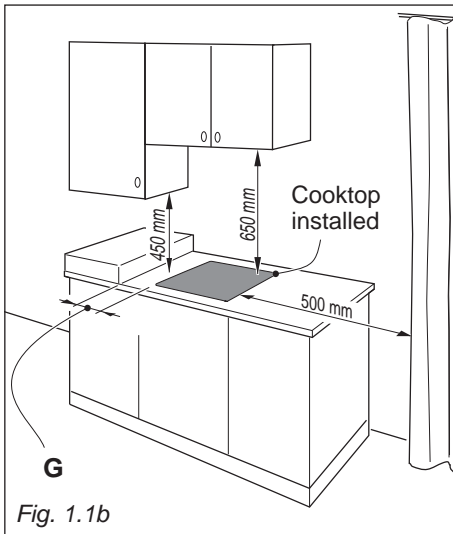
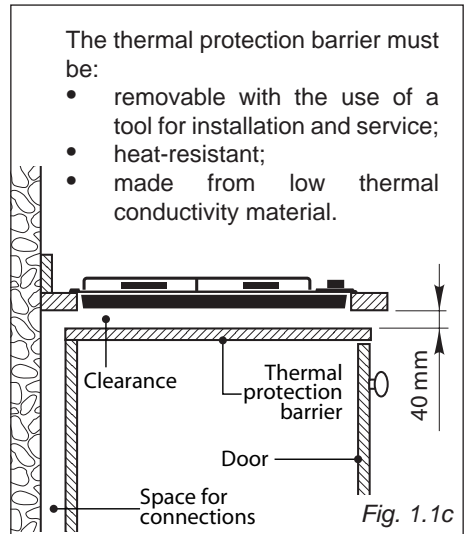


Fig. 1.1b



The thermal protection barrier must be:

- removable with the use of a tool for installation and service;
- heat-resistant;
- made from low thermal conductivity material.

Fig. 1.1c

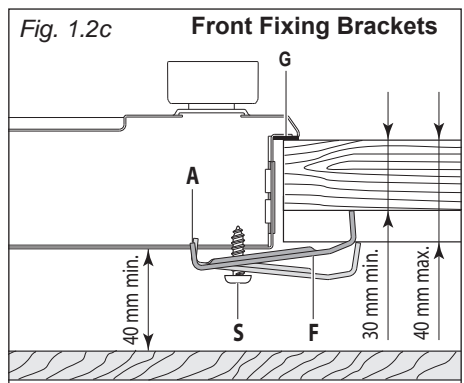
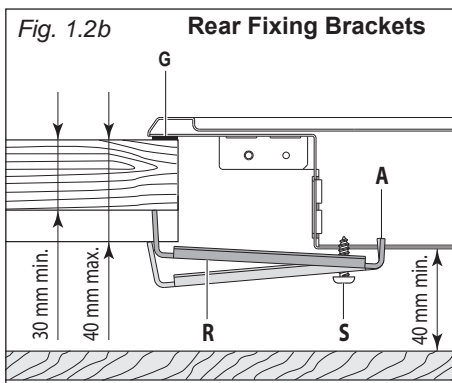
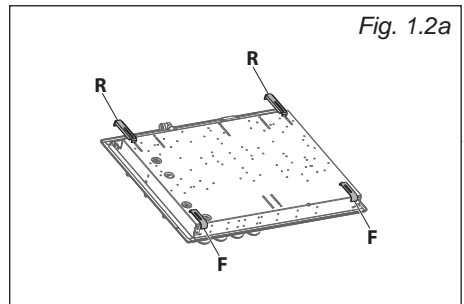
Description	Measures (mm)						
	A	B	C	D	E	F (minimum)	G (minimum)
<b>60cm wide models</b>	600	510	49	560	480	60	200

## FASTENING THE COOKTOP

Each cooktop is provided with an installation kit including brackets and screws for fastening the cooktop to benches from 30 to 40mm thick.

The kit includes two “F” type brackets (for the front of the cooktop), two “R” type brackets (for the rear of the cooktop) and four self-threading screws “S”.

- Cut the unit according to the dimensions in fig. 1.1a.
- Stretch gasket “G” over the edge of the hole made, being careful to overlay the junction edges.
- Fasten the brackets “F” and “R” to the appropriate socket holes, without tightening the screws “S” for the moment. Make sure that the tabs are mounted correctly, as shown (figs. 1.2b, 1.2c). Rotate the tabs so that the cooktop can be put into the cutout.
- Put the cooktop into the cutout and position it correctly.
- Put the brackets “F” and “R” into place; tooth “A” of the brackets should go into the hole (figs. 1.2b, 1.2c).
- Tighten screws “S” until the cooktop is completely secured to the bench.
- Using a sharp cutter or trimmer knife, trim the excess sealing material around the edge of the cooktop.  
Take care not to damage the workbench.



## **PROVISION FOR VENTILATION (UNITED KINGDOM ONLY)**

- The appliance should be installed into a room or space with an air supply in accordance with the current version of BS 5440-2: 2000.
- For rooms with a volume of less than 5m<sup>3</sup> - permanent ventilation of 100 cm<sup>2</sup> free area must be provided.
- For rooms with a volume of between 5 m<sup>3</sup> and 10 m<sup>3</sup> a permanent ventilation of 50 cm<sup>2</sup> free area will be required unless the room has a door which opens directly to the outside air in which case no permanent ventilation is required.
- For rooms with a volume greater than 10 m<sup>3</sup> - no permanent ventilation is required.

**Note: Regardless of room size, all rooms containing the appliance must have direct access to the outside air via an openable window or equivalent.**

- Where there are other fuel burning appliances in the same room, the current version of BS 5440-2: 2000 should be consulted to determine the correct amount of free area ventilation requirements.

## VENTILATION REQUIREMENTS (FOR THE OTHER COUNTRIES)

The appliance must be installed in compliance with applicable local regulations concerning ventilation and the evacuation of exhaust gases.

Intensive and prolonged use may require extra ventilation, e.g. opening a window, or more efficient ventilation increasing the mechanical suction power if this is fitted.

## CHOOSING SUITABLE SURROUNDINGS

The room where the gas appliance is to be installed must have a natural flow of air so that the gas can burn (in compliance with applicable local regulations).

The flow of air must come directly from one or more openings made in the outside walls with a free area of at least 100 cm<sup>2</sup> (or refer to applicable local regulations).

The openings should be near the floor and preferably on the side opposite the exhaust for combustion products and must be made so that they cannot be blocked from either the inside or the outside.

When these openings cannot be made, the necessary air can come from an adjacent room which is ventilated as required, as long as it is not a bed room or a danger area (in compliance with applicable local regulations).

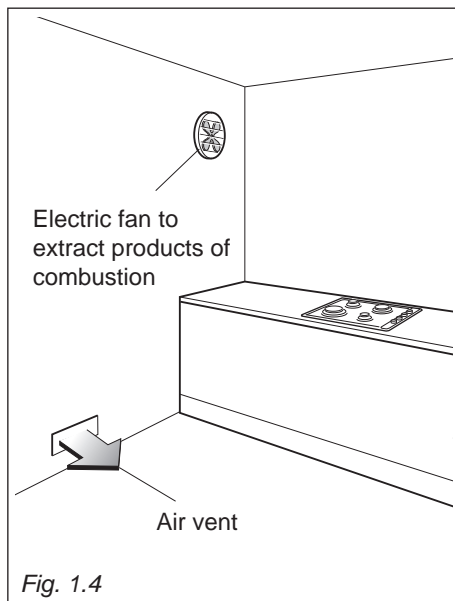
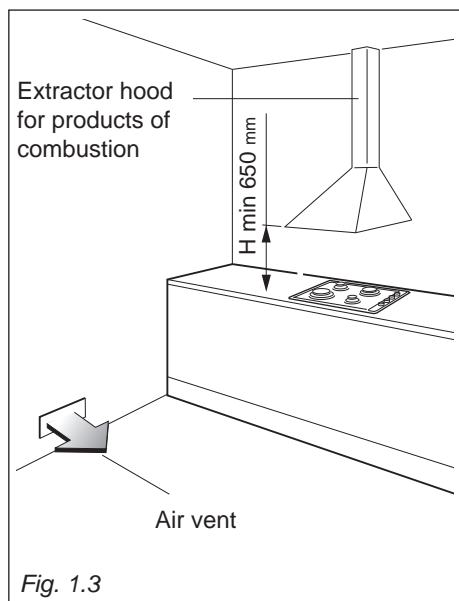
In this case, the kitchen door must allow the passage of the air.

## DISCHARGING PRODUCTS OF COMBUSTION

Extractor hoods connected directly to the outside must be provided, to allow the products of combustion of the gas appliance to be discharged (fig. 1.3).

If this is not possible, an electric fan may be used, attached to the external wall or the window; the fan should have a capacity to circulate air at an hourly rate of 3-5 times the total volume of the kitchen (fig. 1.4).

The fan can only be installed if the room has suitable vents to allow air to enter, as described under the heading “Choosing suitable surroundings”.



## GAS INSTALLATION REQUIREMENTS

- This appliance must be installed and serviced only by a suitably qualified, registered installer. The installer shall refer to the local standards in force.
- Failure to install the appliance correctly could invalidate any manufacturer's warranty.
- Before installation, make sure that the local distribution conditions (gas type and pressure) and the adjustment of this appliance are compatible. The appliance adjustment conditions are given on the plate or the label.
- If the gas pressure (for which the appliance is to be used) is variable or if it is not within the values indicated on the rating plate, it is mandatory to install a proper gas pressure regulator which must be adjusted to guarantee the correct operating pressure to the appliance (as per rating plate).  
The regulator must be installed, adjusted and tested by a qualified technician.
- **WARNING:** Using the appliance with a wrong and/or variable gas pressure may be extremely dangerous and may result in serious injury to the user. Damage to the appliance could occur if not observing this condition.  
The manufacturer declines every responsibility for any inconvenience resulting from the inobservance of this condition.

This appliance is supplied for use on NATURAL GAS or LPG (check the gas regulation label attached on the appliance).

- Appliances supplied for use on NATURAL GAS: they are adjusted for this gas only and cannot be used on any other gas (LPG) without modification. The appliances are manufactured for conversion to LPG.
- Appliances supplied for use on LPG: they are adjusted for this gas only and cannot be used on any other gas (NATURAL GAS) without modification. The appliances are manufactured for conversion to NATURAL GAS.

If the NATURAL GAS/LPG conversion kit is not supplied with the appliance this kit can be purchased by contacting the After-Sales Service.

## INSTALLATION & SERVICE REGULATIONS (UNITED KINGDOM ONLY)

It is a legal requirement that all gas appliances are Installed & Serviced by a competent person in accordance with the current editions of the following Standards & Regulations or those regulations appropriate to the geographical region in which they are to be installed:

- Gas Safety (Installation & Use) Regulations
- Building Regulations
- British/European Standards
- Regulations for Electrical Installation

Installation and service of any gas product must be made by a suitably qualified and registered person competent on the type of product being installed or serviced and holding a valid certificate of competence for the work being carried out. Currently the proof of competence is the Accredited Certification Scheme (ACS) or N/SVQ that has been aligned to the ACS.

It is also a requirement that all businesses or self employed installers are members of a class of person approved by the Health and Safety Executive.

Failure to install the appliance correctly could invalidate any manufacturers warranty and lead to prosecution under the above quoted regulations.



## GAS CONNECTION



Cat: II 2H 3+

The gas connection fitting (fig. 5.1) is made up of:

- the floating nut;
- the elbow;
- the gaskets;
- the conical pipe fitting - to be used for the United Kingdom only or if requested by the applicable local regulations. In this case, before connecting the appliance to the gas supply, fit the conical pipe fitting to the elbow interposing the gasket. If the conical pipe fitting is not supplied with the appliance it can be purchased by contacting the After-Sales Service.

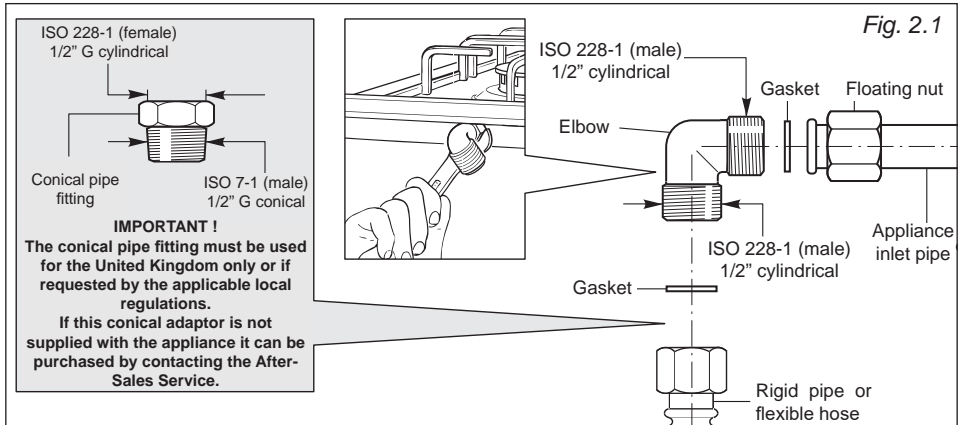
**The gas connection must be carried out by an authorized person according to the relevant local standards.**

- If using a flexible hose, make sure it does not come into contact with moving parts.
- The rear of the chassis is recessed to provide a channel for the appliance inlet pipe.
- The gas connection fitting can be turned in the direction required (but never in a vertical or horizontal position) after loosening the elbow and floating nut connection.
- Never attempt to turn the elbow without having first loosened the floating nut.
- The supplied gaskets guarantee a good seal for the gas connection. We recommend that you replace the gaskets on the slightest sign of wear, deformation or imperfection.
- After connecting to the gas mains, check that the couplings are correctly sealed, using soapy solution, but never a naked flame.

### For the United Kingdom only

**Before connecting the appliance to the gas supply fit the conical pipe fitting (if not supplied with the appliance it can be purchased by contacting the After-Sales Service) to the elbow interposing the gasket.**

**The installation of the gas appliance to Natural Gas or LP Gas must be carried out**



by a suitably qualified, registered installer. Installers shall take due account of the provisions of the relevant British Standards Code of Practice, the Gas Safety Regulations and the Building Standards (Scotland)(Consolidation) Regulations issued by the Scottish Development Department.

### **Additional gas connection requirements (United Kingdom only)**

**Warning:** Only a suitably qualified and registered installer, also with technical knowledge of electricity should install the appliance.

He should observe the Regulations and Codes of Practice governing such installation of gas appliances.

Note: It is recommended that the gas connection to the appliance is installed with a flexible hose connecting tube made to BS669.

#### **Notes:**

- **Flexible hoses can be used where the sited ambient temperature of the hose does not exceed 70°C. These hoses must be manufactured in accordance with BS669 part 1 and be of the correct construction for the type of gas being used.**
- **Gas hoses designed for natural gas MUST NOT be used for supplying LPG gas (LPG gas hoses can be identified by a either a red band or stripe on the rubber outer coating of the hose).**

**The hose should not be crushed or trapped or be in contact with sharp or abrasive edges.**

**IMPORTANT! It is the responsibility of the gas installer to ensure that the product is fully tested and commissioned in accordance with current regulations to ensure there are no gas escapes.**

### **Additional gas connection requirements (all countries)**

When connecting the cooktop to the gas supply with rigid pipes or a flexible hose (which must comply with BS 669 in the UK), make sure that:

- You use rigid pipes or a flexible hose compliant with applicable local regulations. The flexible hose shall be of the correct construction for the type of gas being used and of the correct size to maintain the heat output of the appliance.
- The connection with rigid metal pipes does not cause stress or pressure to the gas piping.
- The flexible hose is not under tension, twisted, kinked, or too tightly bent, neither while the cooktop is in use nor while it is being connected or disconnected.
- The flexible hose is not longer than 2000 mm (or refer to applicable local regulations) and does not come into contact with sharp edges, corners, or moving parts, as these may cause abrasion. Use a single flexible hose only; never connect the cooktop with more than one flexible hose.
- The flexible hose can easily be inspected along its entire length to check its condition; if it has an expiry date, it should be replaced before that date.
- If using a flexible hose which is not entirely made of metal, make sure that it does not come into contact with any part of the cooktop with a surface temperature of 70°C or above (or refer to applicable local regulations).

- The rigid pipe or flexible hose is replaced if it shows signs of damage.
- The flexible hose is not subject to excessive heat by direct exposure to flue products or by contact with hot surfaces.
- The socket into which the plug of the flexible hose fit is permanently attached to a firmly fixed gas installation pipe and is positioned so that the hose hangs freely downwards.
- The plug of the flexible hose is accessible after installation, so that it can be disconnected for service or removal.
- You inform the customer that the rigid pipe or flexible hose should not be subjected to corrosion by cleaning agents.

# GAS MAINTENANCE

**TABLE FOR THE CHOICE OF THE INJECTORS**

<b>Cat: II 2H 3+</b>			<b>G30/G31</b> 28-30/37 mbar	<b>G20</b> 20 mbar
BURNERS	Nominal Power [kW]	Reduced Power [kW]	Ø injector [1/100 mm]	Ø injector [1/100 mm]
Auxiliary (A)	1,00	0,40	50	77
Semi-rapid (SR)	1,75	0,45	66	101
Rapid (R)	3,00	0,75	87	129
Double-ring compact (DRC)	3,50	1,50	92	139

AIR VENT NECESSARY FOR GAS COMBUSTION = (2 m<sup>3</sup>/h x kW)

BURNERS	Air necessary for combustion [m <sup>3</sup> /h]
Auxiliary (A)	2,00
Semi-rapid (SR)	3,50
Rapid (R)	6,00
Double-ring compact (DRC)	7,00

## LUBRICATION OF THE GAS TAPS

In case of difficulty in the gas taps operation, call Service.

## IMPORTANT

**All intervention regarding installation, maintenance and conversion of the appliance must be fulfilled with original factory parts.**

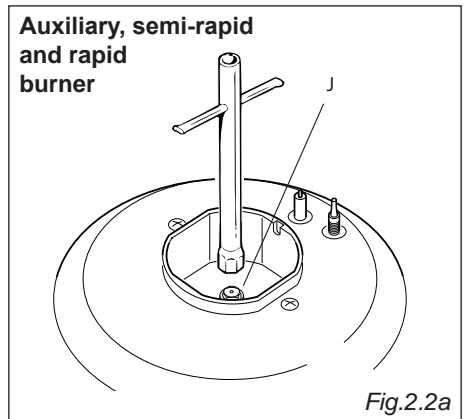
**The manufacturer declines any liability resulting from the non-compliance of this obligation.**

## REPLACEMENT OF THE INJECTORS

If the injectors are not supplied they can be obtained from the “Service Centre”.

Select the injectors to be replaced according to the “TABLE FOR THE CHOICE OF THE INJECTORS”.

The nozzle diameters, expressed in hundredths of a millimeter, are marked on the body of each injector.

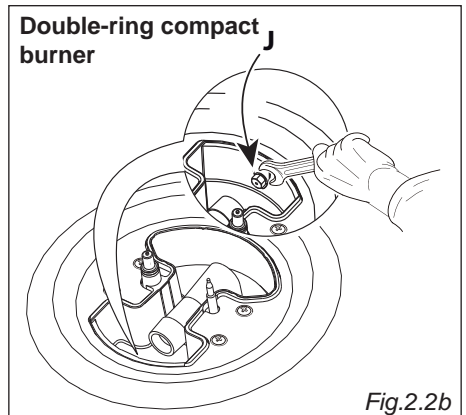


## REPLACEMENT OF THE INJECTORS OF THE COOKTOP BURNERS

To replace the injectors proceed as follows:

- Remove pan supports and burners from the cooktop.
- Using a wrench, substitute the injectors “J” (figs. 2.2a, 2.2b) with those most suitable for the kind of gas for which it is to be used.

The burners are conceived in such a way so as not to require the regulation of the primary air.



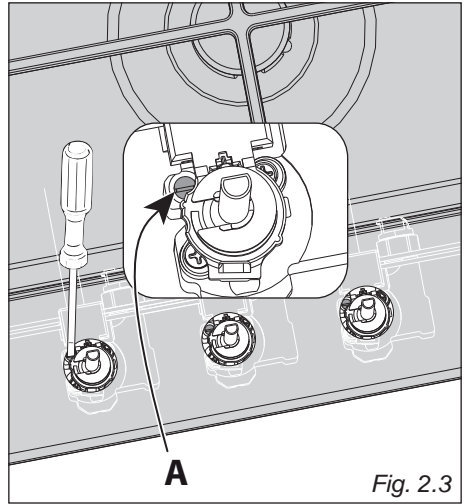
## SETTING THE MINIMUM OF THE COOKTOP BURNERS

In the minimum position the flame must have a length of about 4 mm and must remain lit even with a quick turn from the maximum position to that of minimum.

The flame adjustment is done in the following way:

- Turn on the burner.
- Turn the tap to the 'MINIMUM' position.
- Take off the knob.
- With a small flat screwdriver turn the screw "A" to the correct regulation (fig. 2.3).

**Normally for LPG tighten up the regulation screw.**



# 3

## ELECTRICAL SECTION

**IMPORTANT: The appliance must be installed by a qualified technician according with the current local regulations and in compliance with the manufacturer instructions. Incorrect installation might cause harm and damage to people, animals or objects, for which the manufacturer accepts no responsibility.**

**Connection to a good earth wiring system is absolutely essential. The manufacturer accepts no responsibility for any inconvenience caused by failure to comply with this rule.**

**Before carrying out any work on the electrical section of the appliance, it must be disconnected from the mains.**

### GENERAL

- Connection to the electric power supply must be carried out by a qualified technician and following the appropriate safety regulations.
- The appliance must be connected to the mains checking that the voltage corresponds to the value given in the rating plate and that the electrical cable sections can withstand the load specified on the plate.
- If the hob is supplied without plug, fit a standard plug which is suitable for the power absorbed by the appliance and in conformity with the local rules in force.
- The colours of the wires in the appliance power cable may not correspond with the colours marked on the terminals of your electrical plug. The plug should always be wired as follows:
  - connect the green/yellow wire to the terminal marked with the letter “E” or the earth symbol “ $\perp$ ” or coloured green/yellow;

- connect the blue wire to the terminal marked with the letter “N” or coloured black;
- connect the brown wire to the terminal marked with the letter “L” or coloured red.
- The plug must be connected to an outlet connected to the grounding unit in conformity to security norms.
- If the appliance is to be connected directly to the mains, it must be placed with an omnipolar switch with minimum opening between the contacts of 3 mm between the appliance and the mains.
- The power supply cable must not touch the hot parts and must be positioned so that it does not exceed 50°C above ambient.
- Once the appliance has been installed, the power switch or power plug must always be in a accessible position.
- If the power supply cable is damaged it must be substituted by a suitable cable available in the after sales service.
- The appliance must have its own supply; any other appliances installed near it must be supplied separately.
- **N.B. For connection to the mains, do not use adapters, reducers or branching devices as they can cause overheating and burning.**
- **If the hob surface is cracked disconnect the appliance from the mains and contact the After-Sales Service.**

In the event that installation should require modifications to the mains supply wiring system, it is recommended that a qualified technician be called to carry out substitution.

The technician will also have to verify that the cross-section of the electric cables on the power point match the appliance's power rating.

## SECTION OF THE SUPPLY CABLE TYPE "H05V2V2-F"

resistant to temperatures of 90°C

230 V      50 Hz      3 x 0,75 mm<sup>2</sup> (\*) (\*\*)

or

220-240 V    50-60 Hz      3 x 0,75 mm<sup>2</sup> (\*) (\*\*)

(\*) Connection possible with plug and outlet

(\*\*) Connection with wall box connection.

## REPLACING THE POWER SUPPLY CABLE

**WARNING:** If the power supply cable is damaged, it must be replaced only by an authorized service agent in order to avoid a hazard.

To connect the supply cable:

- Unhook the terminal board cover by inserting a screwdriver into the two hooks "A" (fig. 3.1).
- Open the cable gland by unscrewing screw "F" (fig. 3.2), unscrew the terminal screws and remove the cable.
- The new supply cable, of suitable type and section, must be connected to the terminal board following the diagram in fig. 3.3.
- Close and hook again the terminal board cover.

**NOTE:** The earth conductor must be left about 3 cm longer than the others.

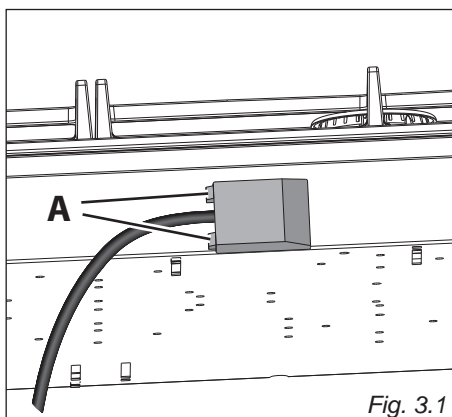


Fig. 3.1

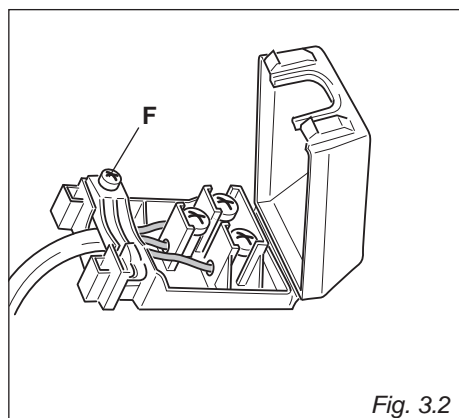


Fig. 3.2

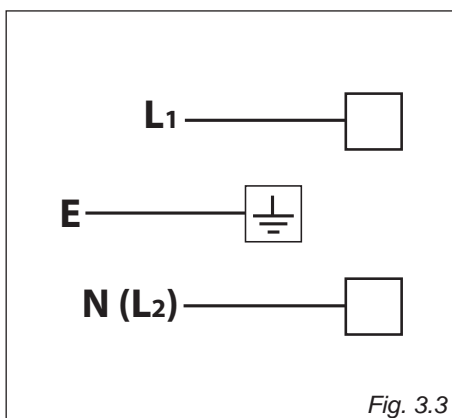


Fig. 3.3





---

***ADVICE***  
***for the***  
***USERS***

---

# 1

## FEATURES AND TECHNICAL DATA

Fig. 1.1

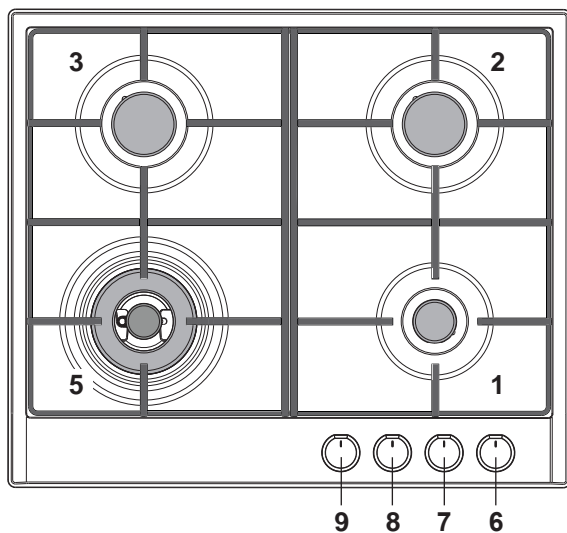
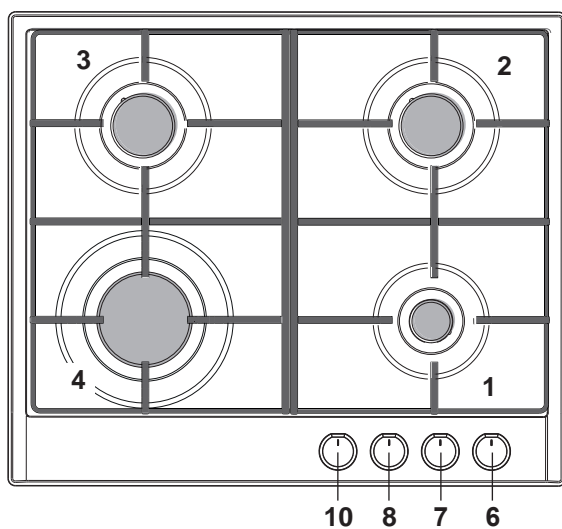


Fig. 1.2



**NOTE:**  
The knob and symbols may vary.

## **GAS BURNERS**

1. Auxiliary (A)	1,00 kW
2. Semirapid (SR)	1,75 kW
3. Semirapid (SR)	1,75 kW
4. Rapid (R)	3,00 kW
5. Double-ring compact (DRC)	3,50 kW

## **CONTROLS DESCRIPTION**

6. Burner control knob (1)
7. Burner control knob (2)
8. Burner control knob (3)
9. Burner control knob (5)
10. Burner control knob (4)

## **NOTES:**

- The electric ignition is incorporated in the knobs.
- The appliance has a safety valve system fitted, the flow of gas will be stopped if and when the flame should accidentally go out.

## **CAUTION:**

If the burner is accidentally extinguished, turn the gas off at the control knob and wait at least 1 minute before attempting to relight.

## **CAUTION:**

Gas hobs produce heat and humidity in the environment in which they are installed. Ensure that the cooking area is well ventilated by opening the natural ventilation grilles or by installing an extractor hood connected to an outlet duct.

## **CAUTION:**

If the hob is used for a prolonged time it may be necessary to provide further ventilation by opening a window or by increasing the suction power of the extractor hood (if fitted).




# 2

## HOW TO USE THE COOKTOP

### GAS BURNERS

Gas flow to the burners is adjusted by turning the knobs (illustrated in fig. 2.1) which control the safety valves.

Turning the knob, so that the indicator line points to the symbols printed on the panel, achieves the following functions:

- symbol  closed valve
  - symbol  maximum aperture or flow
  - symbol  minimum aperture or flow
- The maximum aperture position permits rapid boiling of liquids, whereas the minimum aperture position allows slower warming of food or maintaining boiling conditions of liquids.
  - To reduce the gas flow to minimum rotate the knob further anti-clockwise to point the indicator towards the small flame symbol.
  - Other intermediate operating adjustments can be achieved by positioning the indicator between the maximum and minimum aperture positions, and never between the maximum aperture and closed positions.

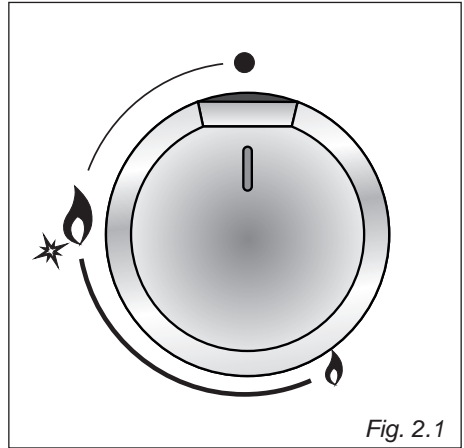


Fig. 2.1

**NOTE:**  
The knob and symbols may vary.


**Caution!**  
Do not cover the hob with aluminium foils.

**N.B.** When the cooktop is not being used, set the gas knobs to their closed positions and also close the cock valve on the gas bottle or the main gas supply line.


**Caution!**  
The cooking hob becomes very hot during operation.  
Keep children well out of reach.

## LIGHTING THE BURNERS

To ignite the burner, the following instructions are to be followed:

1. Press in the corresponding knob and turn counter-clockwise (fig. 2.2) to the full flame position marked by the “

If the burner flame should go out for some reason, the safety valve will automatically stop the gas flow.

To re-light the burner, return the knob to the closed “

**Note:** If your local gas supply makes it difficult to light the burner with the knob set to maximum, set the knob to minimum and repeat the operation.

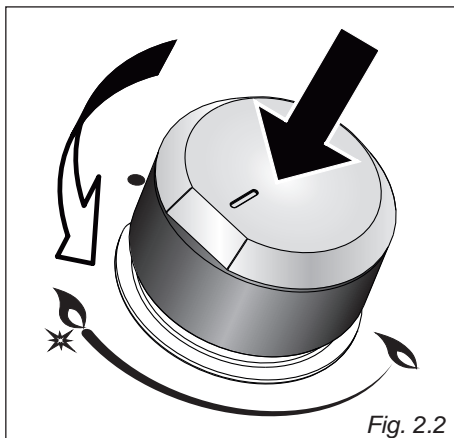


Fig. 2.2

## CHOICE OF THE BURNER

On the control panel, near every knob there is a diagram that indicates which burner is controlled by that knob.

The suitable burner must be chosen according to the diameter and the capacity used.

As an indication, the burners and the pots must be used in the following way:

### DIAMETERS OF PANS WHICH MAY BE USED ON THE BURNERS

BURNERS	MINIMUM	MAXIMUM
Auxilliary	12 cm	14 cm
Semi-rapid	16 cm	24 cm
Rapid	24cm	26 cm
Double-ring compact	26 cm	28 cm
Wok	-	Max 36 cm

**do not use pans with concave or convex bases**

It is important that the diameter of the pot be suitable to the potentiality of the burner so as not to compromise the high output of the burners and therefore energy waste. A small pot on a large burner does not give you a boiling point in a shorter amount of time since the capacity of heat absorption of a liquid mass depends on the volume and the surface of the pot.

**CAUTION:** Make sure the pans are central to the burner for maximum stability and greater efficiency.

Make sure the pans are not in contact with the control knobs, otherwise the flame could overheat the knobs and permanently damage them.

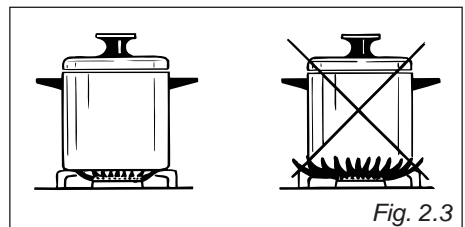


Fig. 2.3

## WOK STAND (OPTIONAL)

(figs. 2.4a - 2.4b)

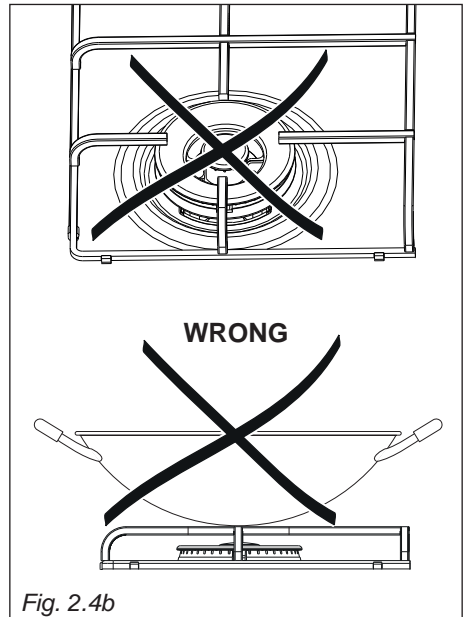
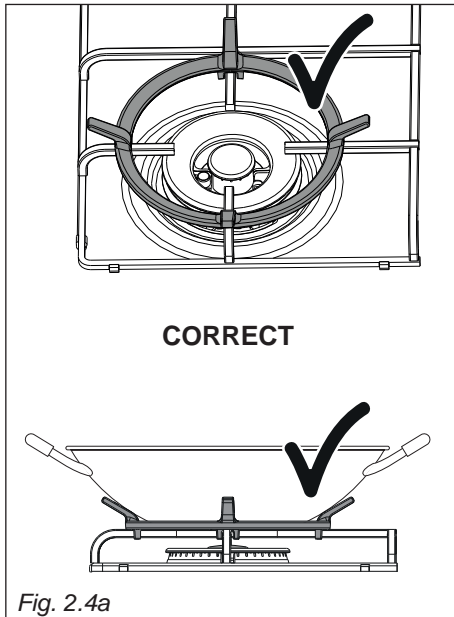
This special grille for woks should be placed over the pan-rest for the double-ring compact, double ring or Dual burner (depending on models).

### Warning:

- Using woks without this special grille may cause the burner to malfunction.
- Do not use the grille for ordinary, flat-bottomed saucepans.

### IMPORTANT:

The special grille for wok pans **MUST BE PLACED ONLY** over the pan-rest for the double-ring compact, Double ring or Dual burner (depending on models).



# 3

## CLEANING AND MAINTENANCE

### GENERAL ADVICE

- Before you begin cleaning, you must ensure that the appliance is switched off and disconnected from the electrical power supply.
- **Important:** The use of suitable protective clothing/gloves is recommended when handling or cleaning of this appliance.
- Under no circumstances should any external covers be removed for servicing or maintenance except by suitable qualified personnel.
- It is advisable to clean when the appliance is cold and especially when cleaning the enamelled parts.
- Be very careful that no water penetrates inside the appliance.
- Avoid leaving alkaline or acidic substances (lemon juice, vinegar, etc.) on the surfaces.
- Avoid using cleaning products with a chlorine or acidic base.

**WARNING!** When correctly installed, your product meets all safety requirements laid down for this type of product category. However special care should be taken around the underneath of the appliance as this area is not designed or intended to be touched and may contain sharp or rough edges, that may cause injury.

### ENAMELLED SURFACES

All the enamelled parts must be cleaned with a sponge and soapy water only or other non-abrasive products. Dry preferably with a microfibre or soft cloth.  
If acid substances such as lemon juice, tomato conserve, vinegar etc. are left on the enamel for a long time they will etch it, making it opaque.

**Important:** The manufacturer declines all liability for possible damage caused by the use of unsuitable products to clean the appliance.

**Attention!** The appliance gets very hot, mainly around the cooking areas. It is very important that children are not left alone in the kitchen when you are cooking.

**Do not use a steam cleaner** because the moisture can get into the appliance thus make it unsafe.

### COOKING HOBS WITH GLASS LID (optional)



**Do not shut lid when burner alight.**

### ATTENTION

- ✓ Do not lower the glass lid when the gas burner are still hot and when the oven, installed below the cooking hob, is on or still hot.
- ✓ Do not lay on the glass lid hot pans and heavy kitchen utensils.
- ✓ Dry off any liquid which may have spilt on the cover before opening it.



## STAINLESS STEEL SURFACES

Stainless steel parts must be rinsed with water and dried with a soft and clean cloth. For persistent dirt, use specific non-abrasive products available commercially or a little hot vinegar.

## PAINTED PARTS AND SILKSCREEN PRINTED SURFACES

Clean using an appropriate product. Always dry thoroughly.

**IMPORTANT:** these parts must be cleaned very carefully to avoid scratching and abrasion. You are advised to use a soft cloth and neutral soap.

**CAUTION:** Do not use abrasive substances or non-neutral detergents as these will irreparably damage the surface.

## GAS TAPS

- Periodic lubrication of the gas taps must be carried out by specialist personnel only.
- In the event of operating faults in the gas taps, call the Service Department.

## BURNERS

These parts can be removed and cleaned with appropriate products.

**Warning! Not dishwasher safe.**

After cleaning, the burners and their flame spreaders must be well dried and correctly replaced.

It is very important to check that the burner flame spreader and the cap have been correctly positioned. Failure to do so can cause serious problems.

Check that the electrode/s “S” (figs. 3.1, 3.3) next to each burner is/are always clean to ensure trouble-free sparking.

Check that the probe/s “T” (figs. 3.1, 3.3) next to each burner is/are always clean to ensure correct operation of the safety valves.

**Both the probe and ignition plug must be very carefully cleaned.**

**Note: To avoid damage to the electric ignition do not use it when the burners are not in place.**

**Note: Continuous use may cause a change in the glaze around the burners and grids, corresponding to the areas exposed to the heat. This is a natural phenomenon and does not prevent the parts from working properly.**

## CORRECT REPLACEMENT OF THE AUXILIARY, SEMI-RAPID BURNERS AND RAPID BURNERS (depending on your model, your cooktop may only have some of these burners - see page 27)

It is very important to check that the burner flame distributor “F” and the cap “C” have been correctly positioned (see fig. 3.1, 3.2) - failure to do so can cause serious problems.

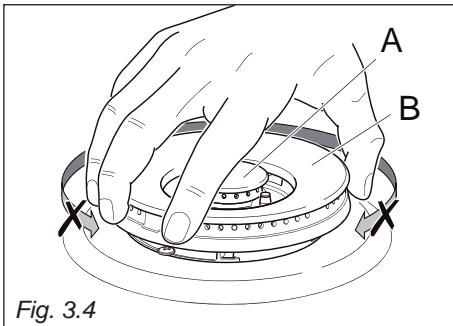
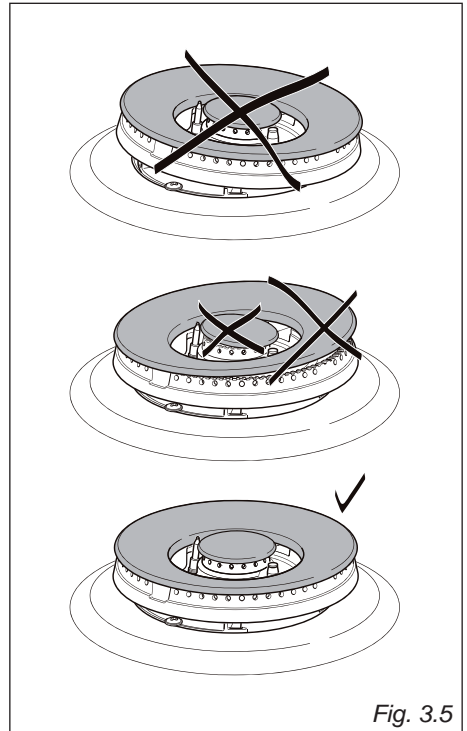
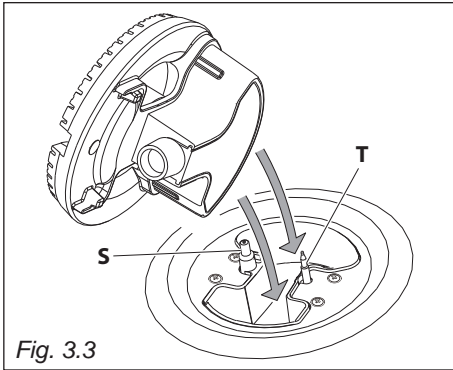
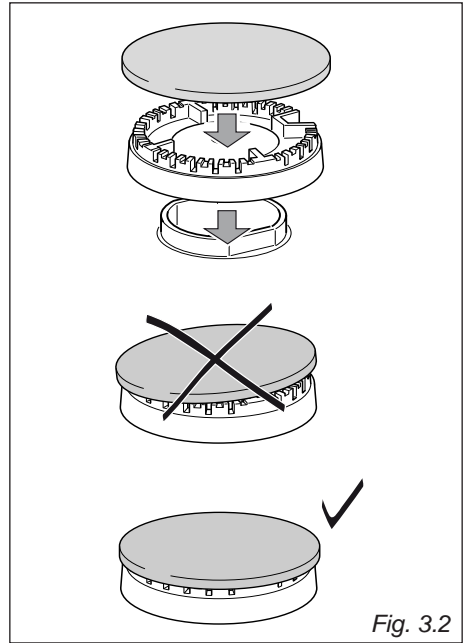
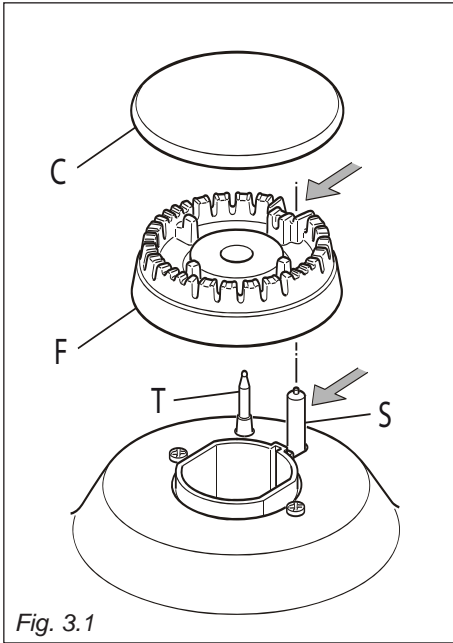
## CORRECT REPLACEMENT OF THE DOUBLE-RING COMPACT (depending on your model, your cooktop may only have some of these burners - see page 27)

The burner must be correctly positioned; failure to do so can cause serious problems.

Fit the flame spreader to the housing as shown by the arrows (see figs. 3.3, 3.4).

The burner correctly positioned must not rotate (fig. 3.4).

Then position the cap “A” and the ring “B” (figs. 3.4, 3.5).



## PAN SUPPORTS

These parts can be removed and cleaned with appropriate products.

After cleaning, they must be well dried and correctly replaced.

It is very important to check that the pan supports have been correctly positioned. Failure to do so can cause serious problems.

The prongs of the pan supports must always be centred with the burners (fig. 3.6).

The raised portion of the pan supports shall NOT face the sides of the cooktop (fig. 3.7).

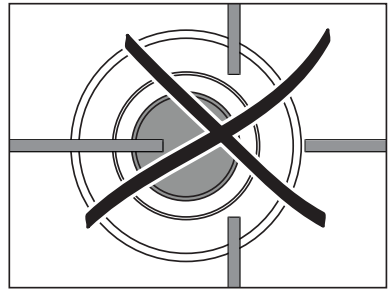
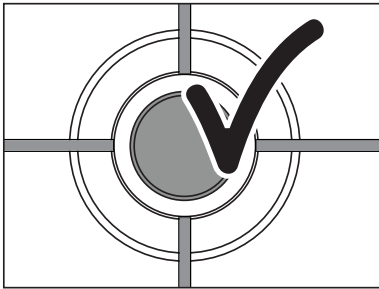


Fig. 3.6

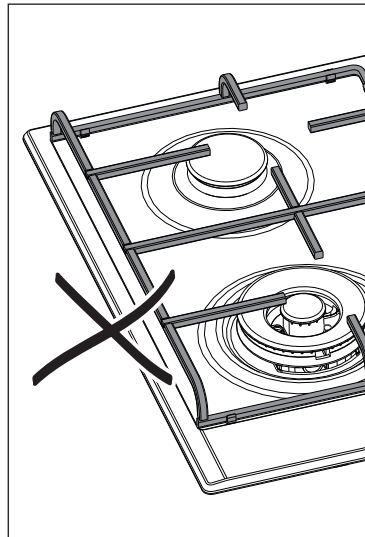
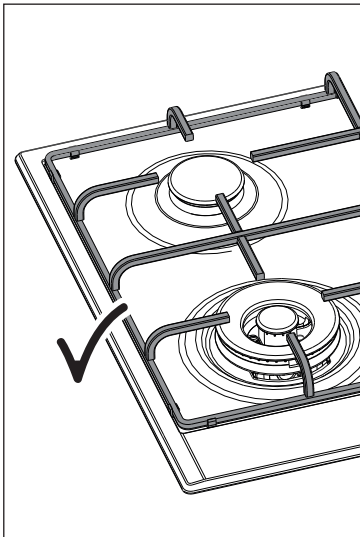


Fig. 3.7

The manufacturer cannot be held responsible for possible inaccuracies due to printing or transcription errors in the present booklet.

The manufacturer reserves the right to make all modifications to its products deemed necessary for manufacturer commercial reasons at any moment and without prior notice, without jeopardising the essential functional and safety characteristics of the appliances.

---

[www.elba-cookers.com](http://www.elba-cookers.com)

**ELBA**

TALENT FOR COOKING

 Made in Italy 